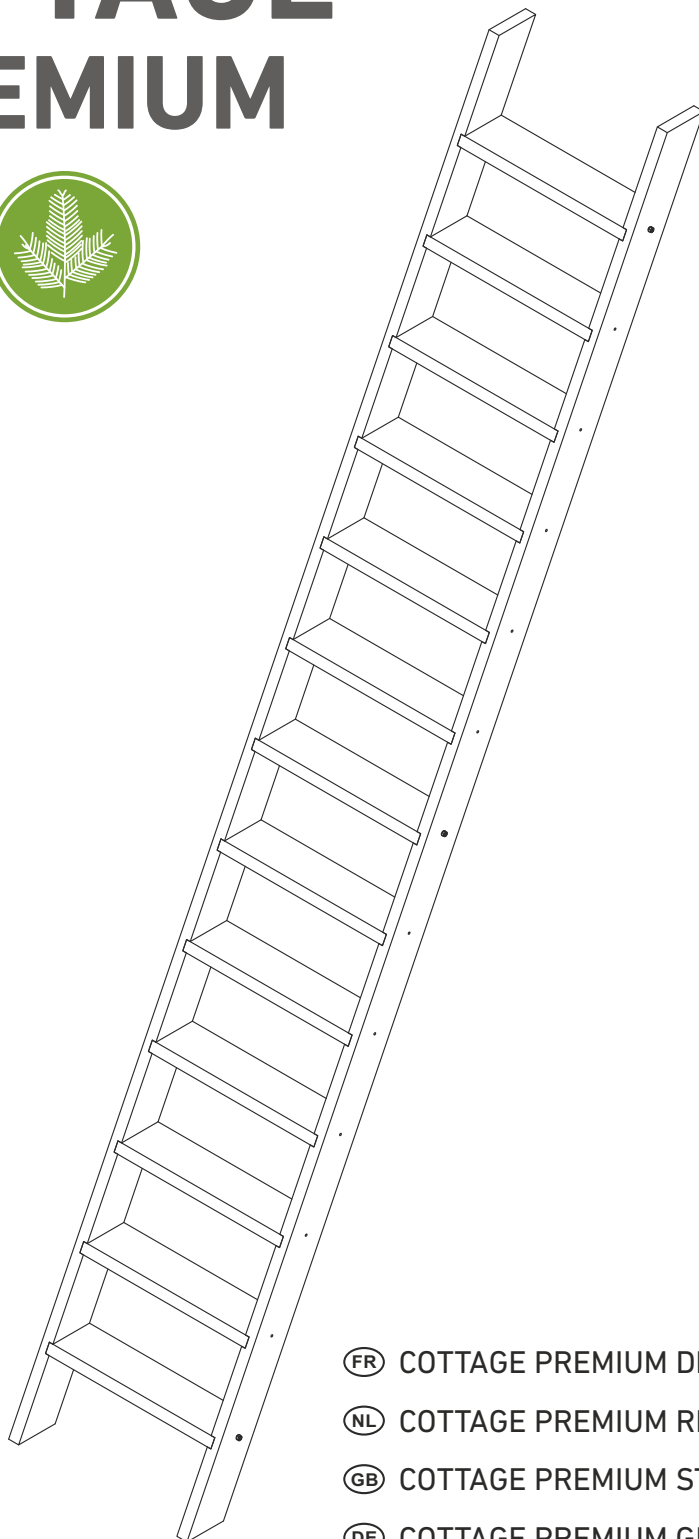
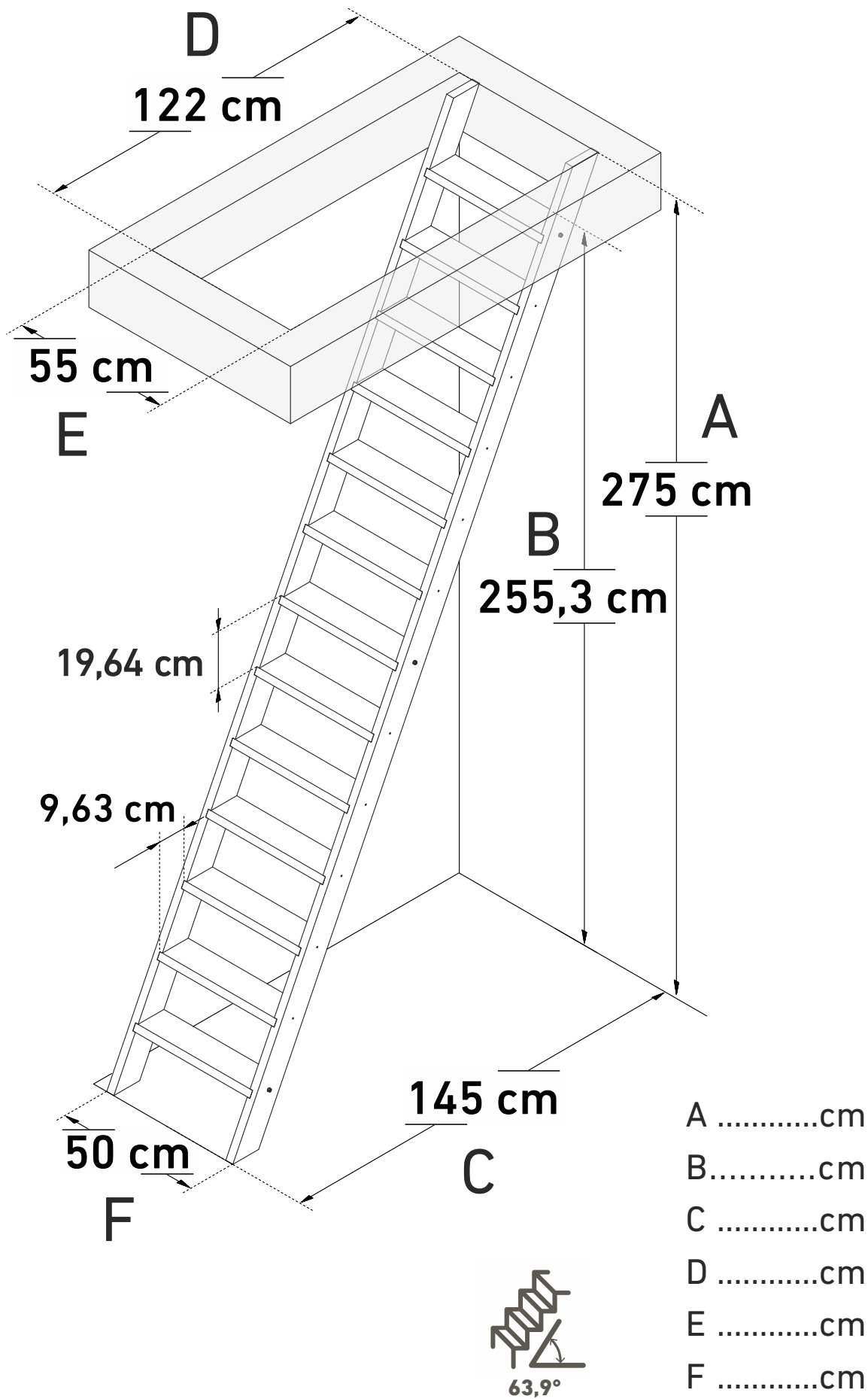




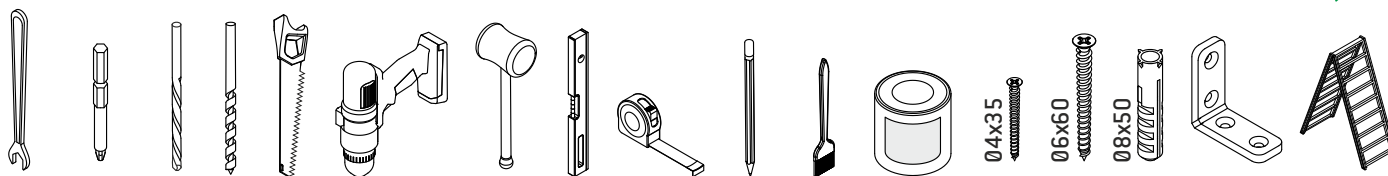
COTTAGE PREMIUM



- Ⓡ COTTAGE PREMIUM DROIT 2 LIMONS+13 MARCHES
- Ⓡ COTTAGE PREMIUM RECHT 2 WANGEN+13 TREDEN
- Ⓡ COTTAGE PREMIUM STRAIGHT 2 STRINGS+13 STEPS
- Ⓡ COTTAGE PREMIUM GERADE 2 WANGEN+13 STUFEN
- Ⓡ COTTAGE PREMIUM RECTA 2 ZANCAS+13 PELDAÑOS
- Ⓡ COTTAGE PREMIUM DREAPTĂ 2 LATERALE+13 TREPTE

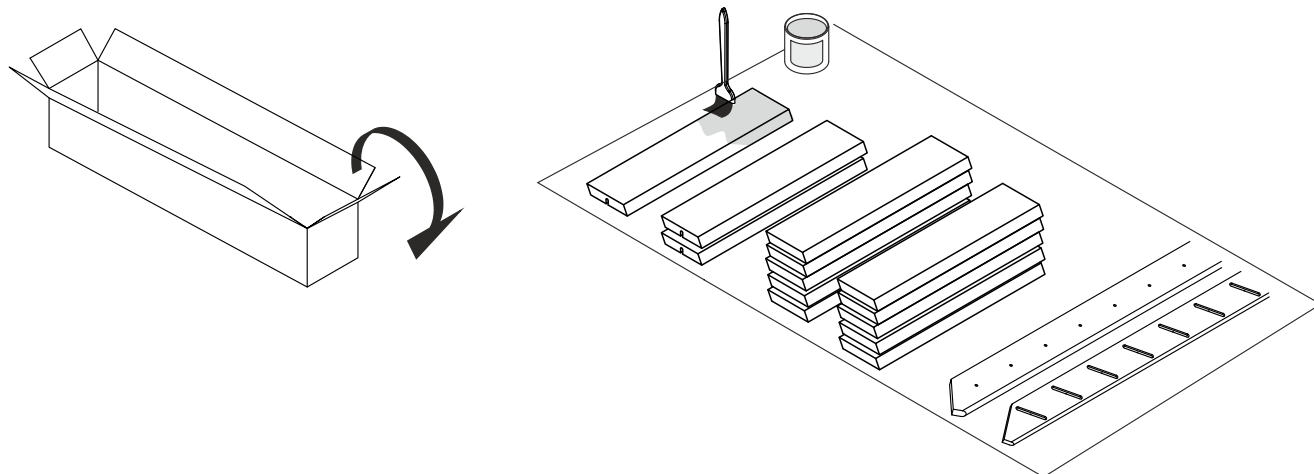


01 x1	28x92x3108	02 x1	28x92x3108	03 x3	22x112x464	04 x10	22x112x464	05 x3	M6x515	06 x6	06x012x2	07 x6	M6x6	08 x20	05x50



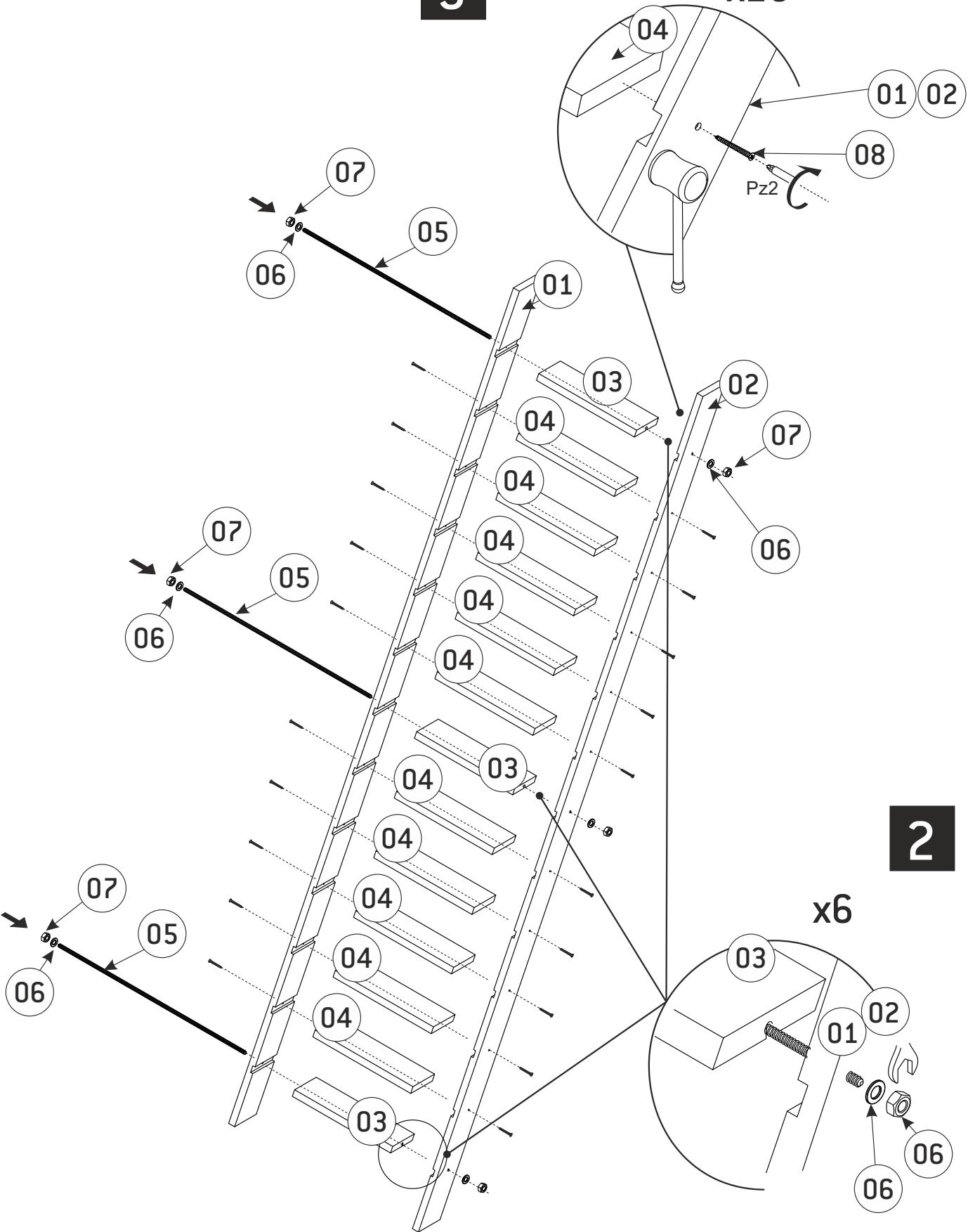
10 Ph2/3 010 04
Pz2/3 08 012

1



3

x20

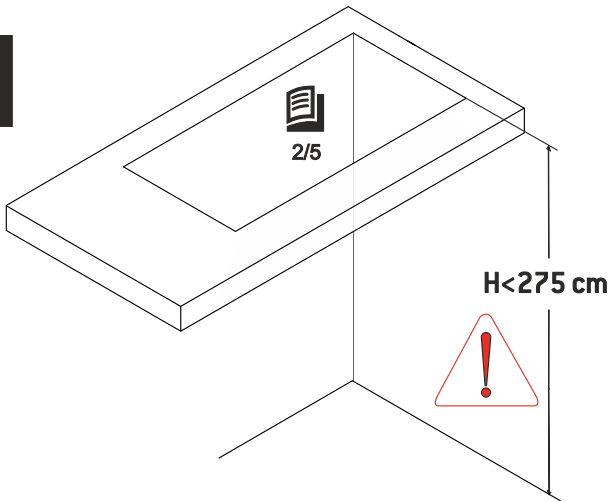


2

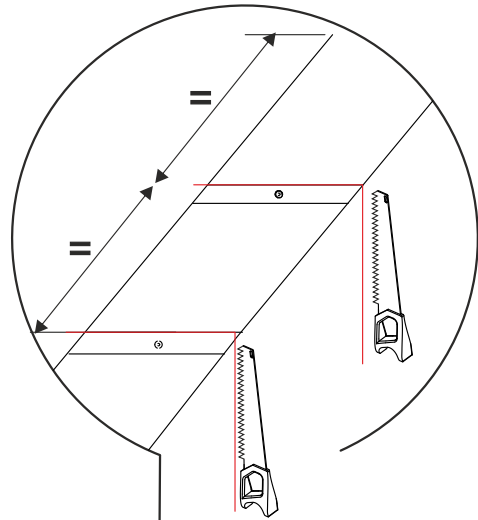
x6

4

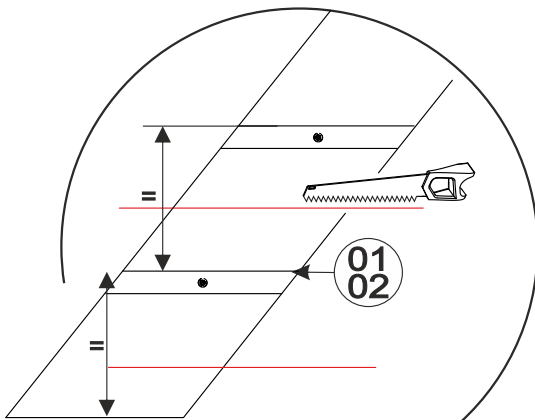
$H < 275 \text{ cm}$



$-1h; -2h$

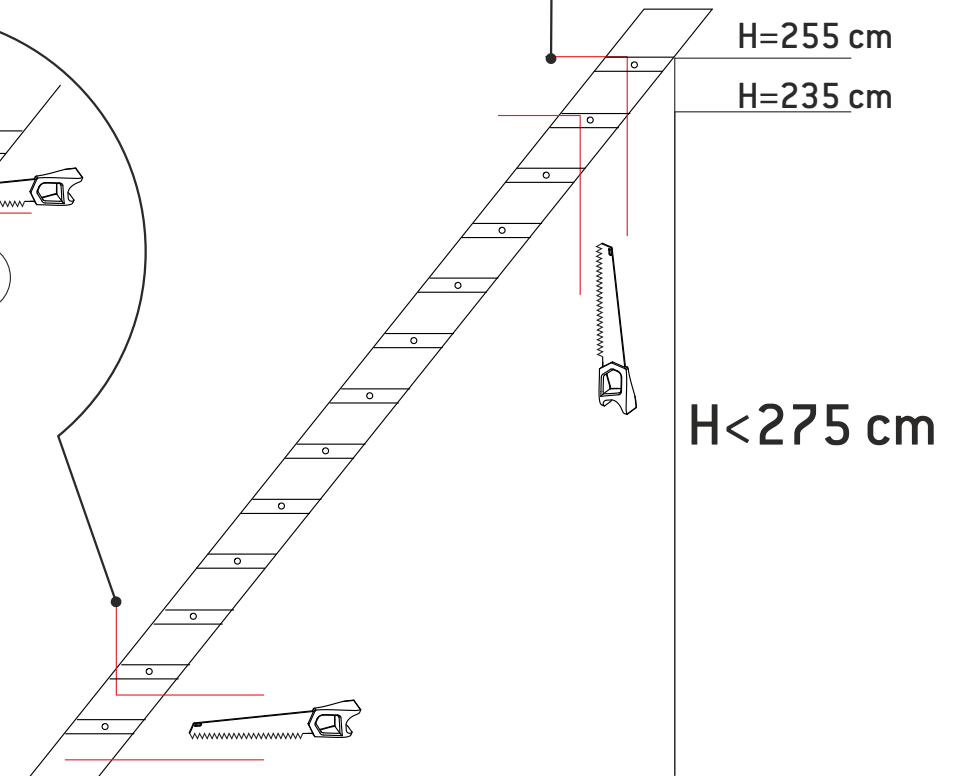


$-0,3h; -1,5h$



$H = 255 \text{ cm}$

$H = 235 \text{ cm}$



5

