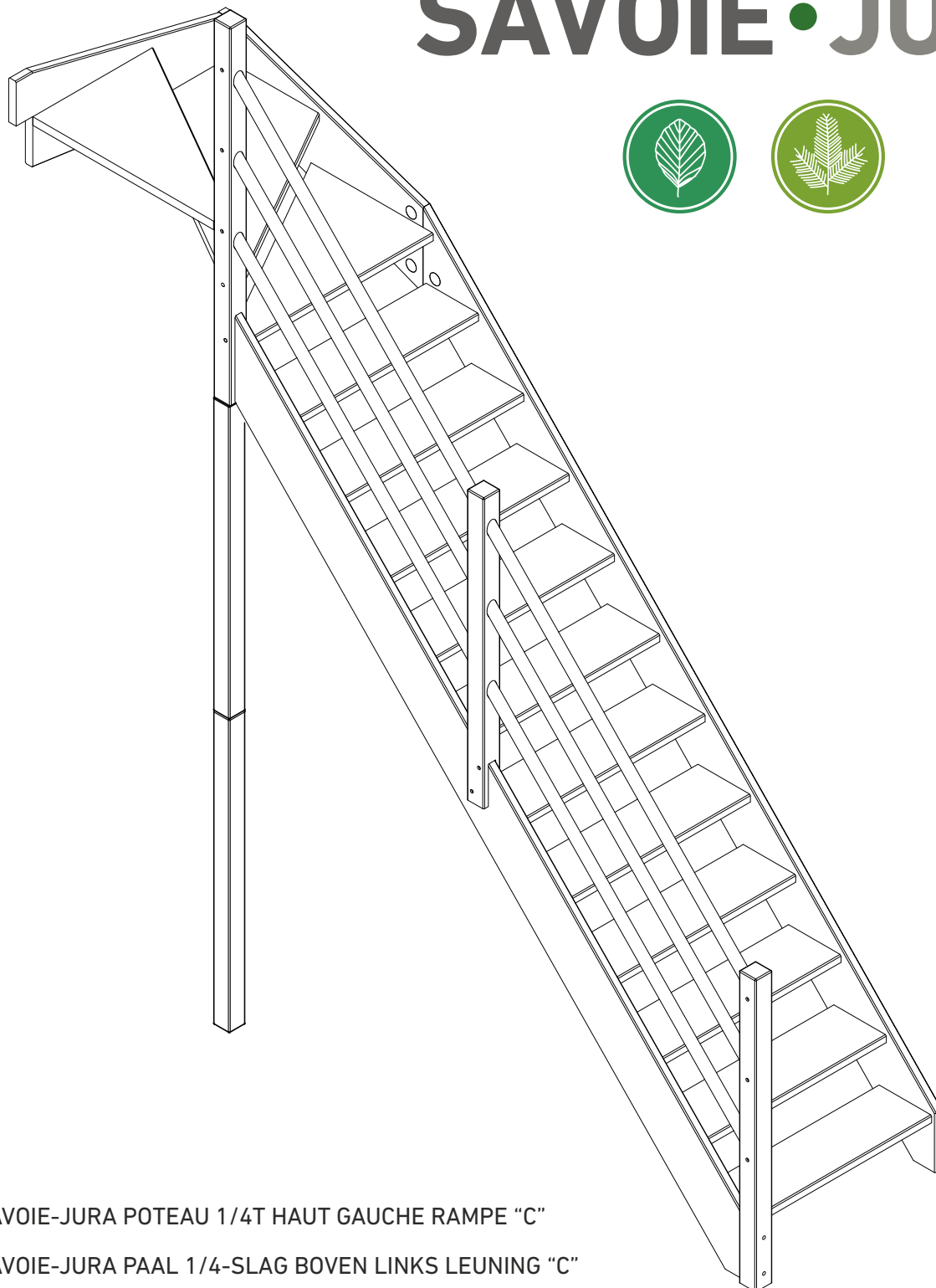
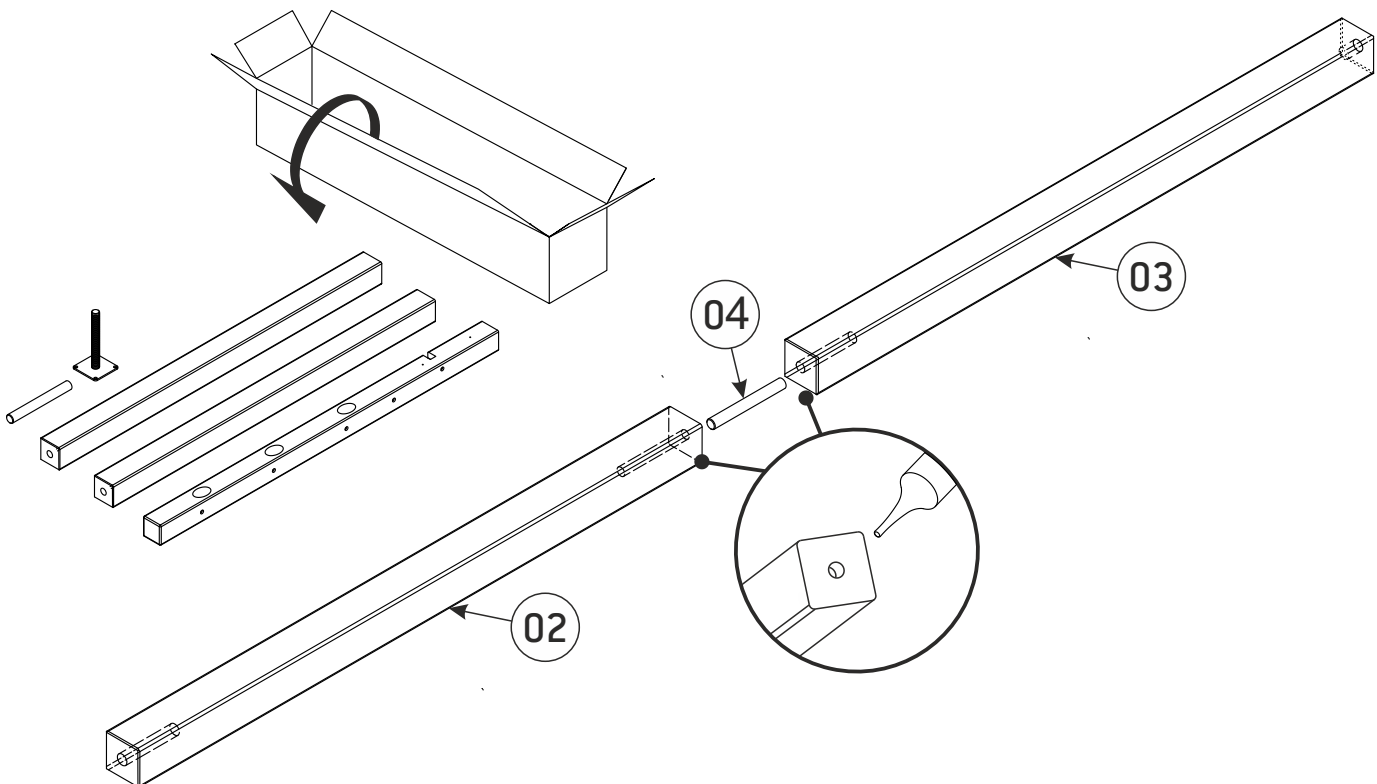


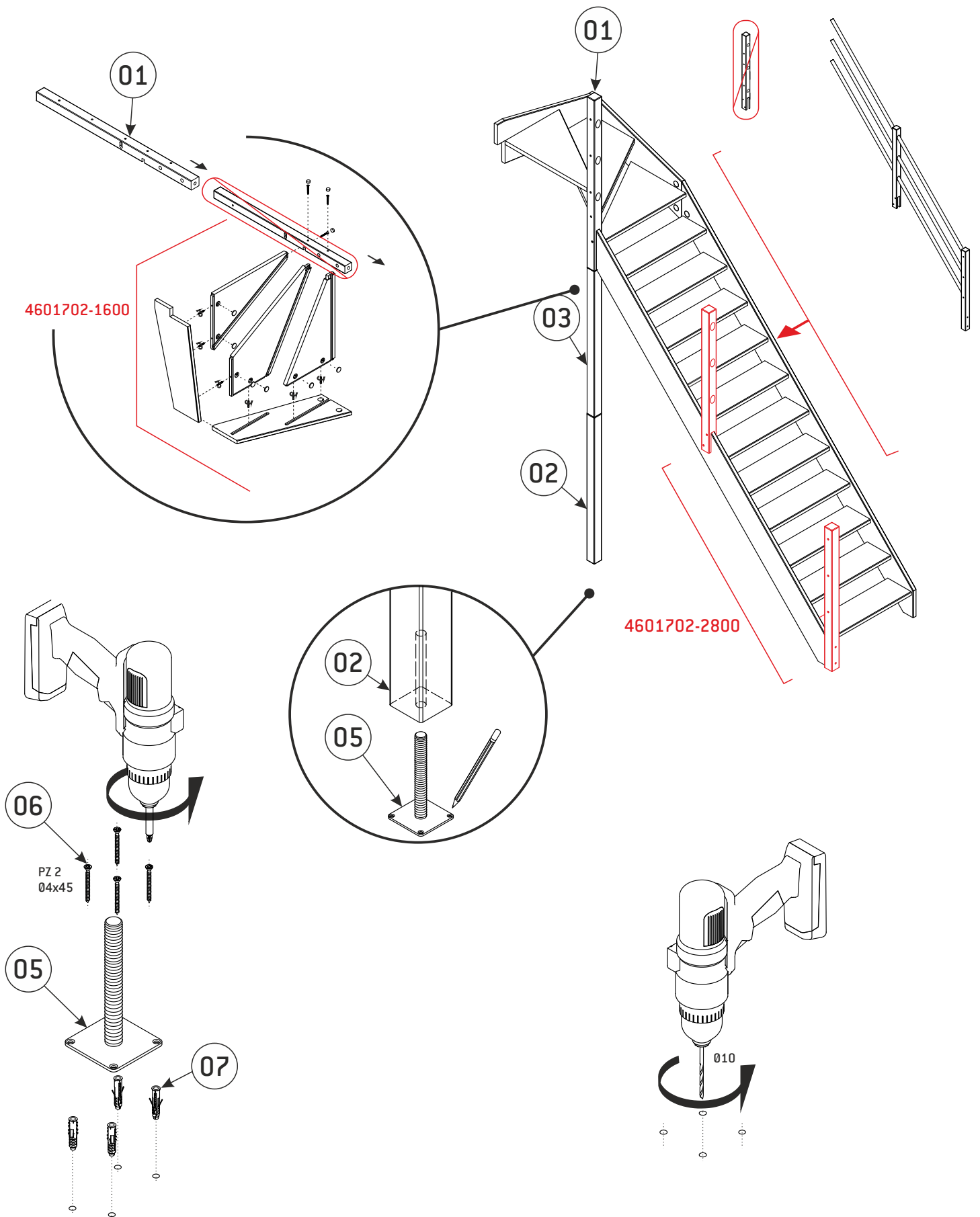
SAVOIE • JURA

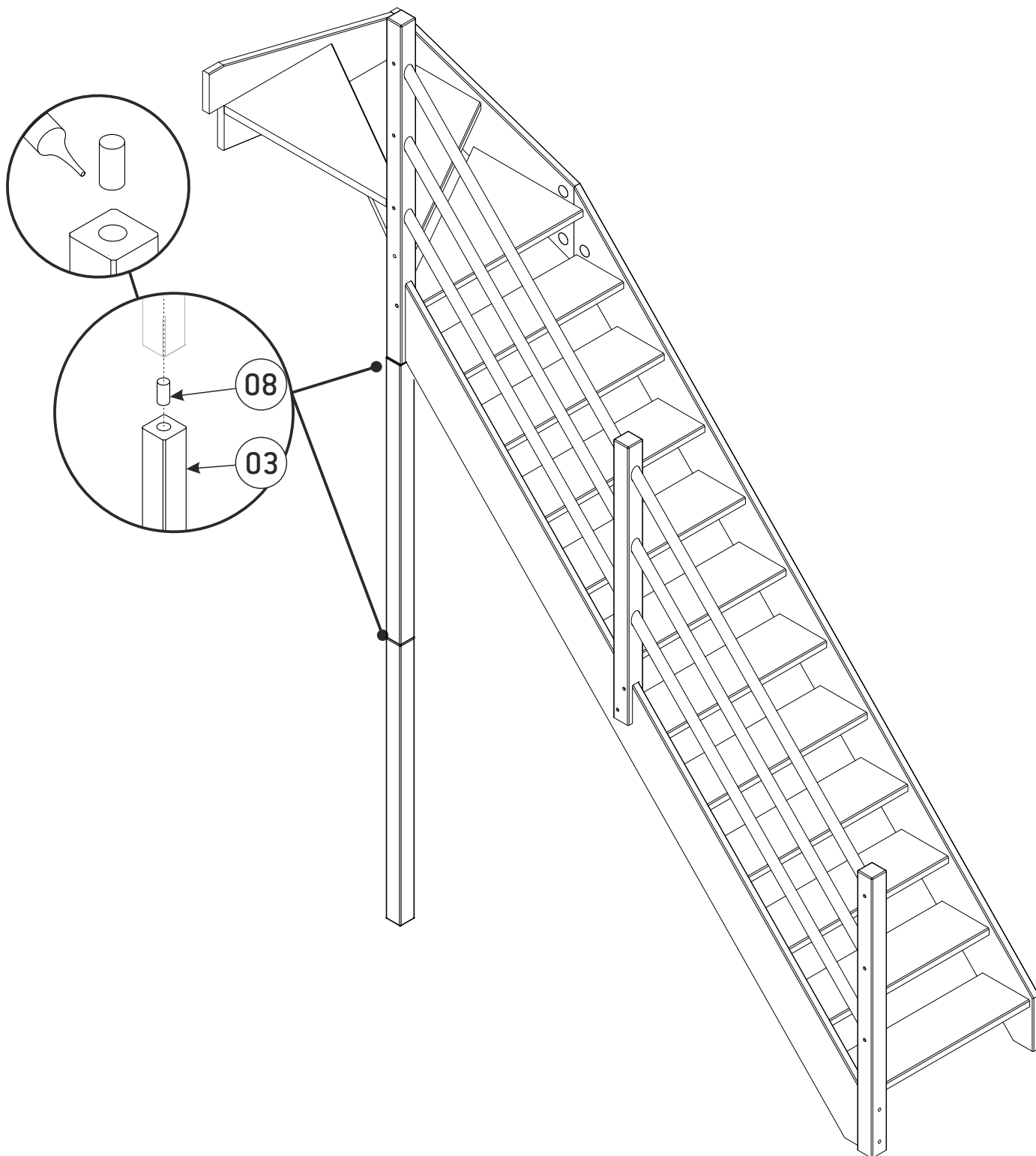


- ⒻⓂ SAVOIE-JURA POTEAU 1/4T HAUT GAUCHE RAMPE "C"
- ⒼⓃ SAVOIE-JURA PAAL 1/4-SLAG BOVEN LINKS LEUNING "C"
- ⒼⓅ SAVOIE-JURA POST 1/4T UP LEFT BANISTER "C"
- ⒼⓄ SAVOIE-JURA PFOSTEN VIERTELWENDELUNG OBEN LINKS GELÄNDER "C"
- ⒼⓈ SAVOIE-JURA POSTE 1/4 GIRO ALTO IZQUIERDA BARANDILLA "C"
- ⒼⓇ SAVOIE-JURA STÂLP 1/4T STÂNGA SUS RAMPĂ "C"

<p>01 70x70x1370mm x1</p>	<p>02 70x70x1181mm x1</p>	<p>03 70x70x1181mm x1</p>	<p>04 Ø16x 200mm x1</p>	<p>05 66x66x134mm x1</p>	<p>06 Ø5x60mm x4</p>	<p>07 Ø10x50mm x4</p>
					<p>08 Ø20x55mm x2</p>	<p>0:30h</p>







40 AVENUE DE L'ESPÉRANCE - 6220 FLEURUS - BELGIUM
TEL: +32/71/25.39.60, E-MAIL: info@sogem-sa.com