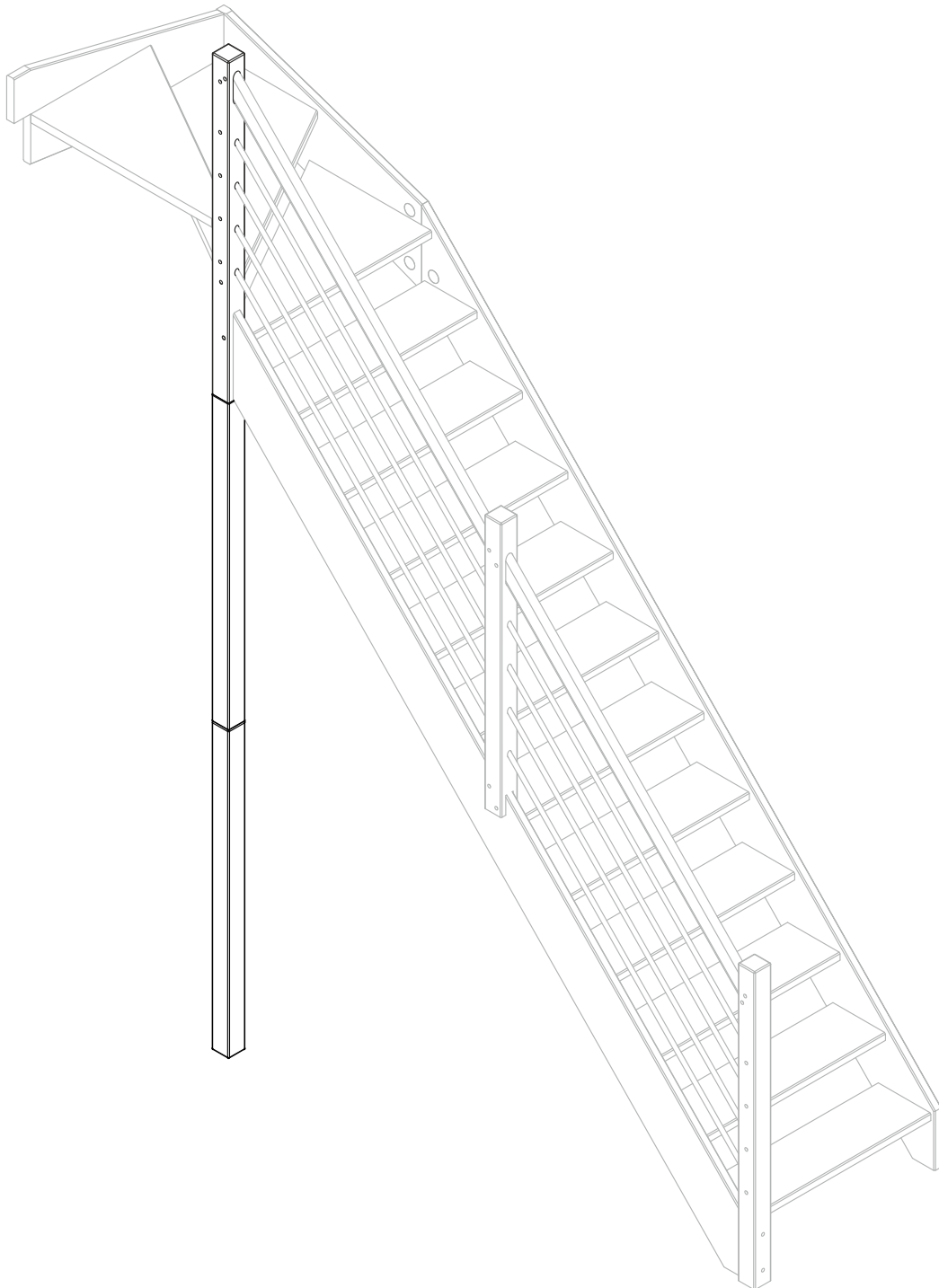




SOGEM

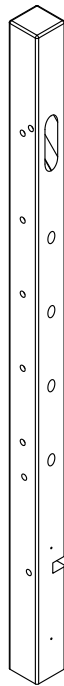


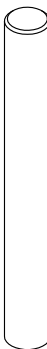
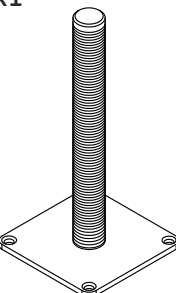




1/4T UP LEFT



JURA

POST BANISTER "G" | POTEAU RAMPE "G" | PAAL LEUNING "G" | PFOSTEN GELÄNDER "G"
POSTE BARANDILLA "G" | POSTE CORRIMÃO "G" | PALO RINGHIERA "G" | STÂLP RAMPĂ "G"

<p>01 70x70x1370mm x1</p> 	<p>02 70x70x1181mm x1</p> 	<p>03 70x70x1181mm x1</p> 	<p>04 Ø16x 200mm x1</p> 	<p>05 66x66x134mm x1</p> 	<p>06 Ø4x45mm x4</p> 	<p>07 Ø10x50mm x4</p> 
<p>08 Ø20x55mm x2</p> 