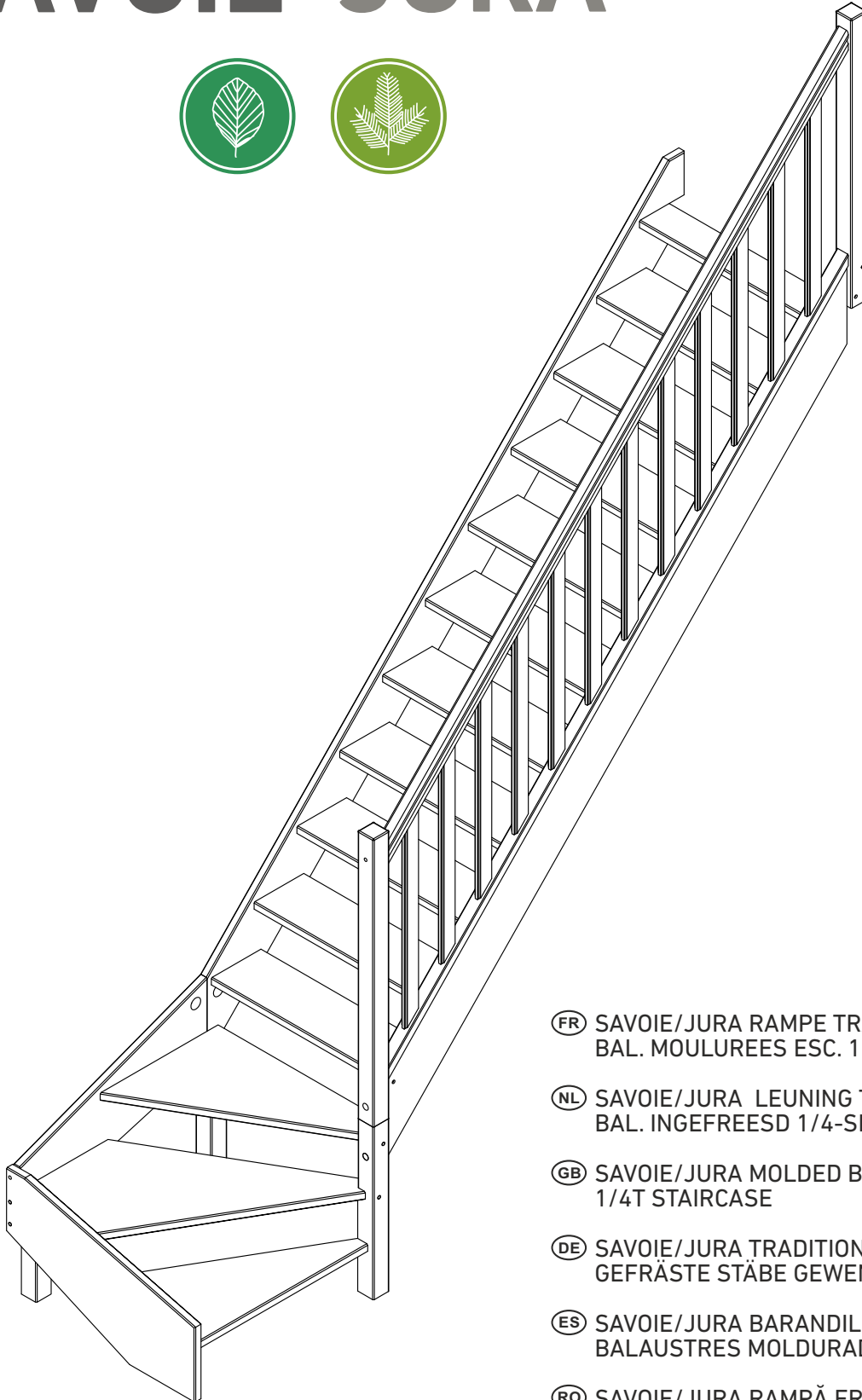




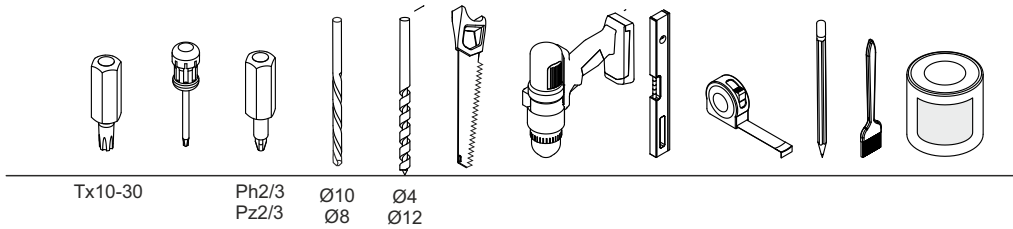
SAVOIE • JURA



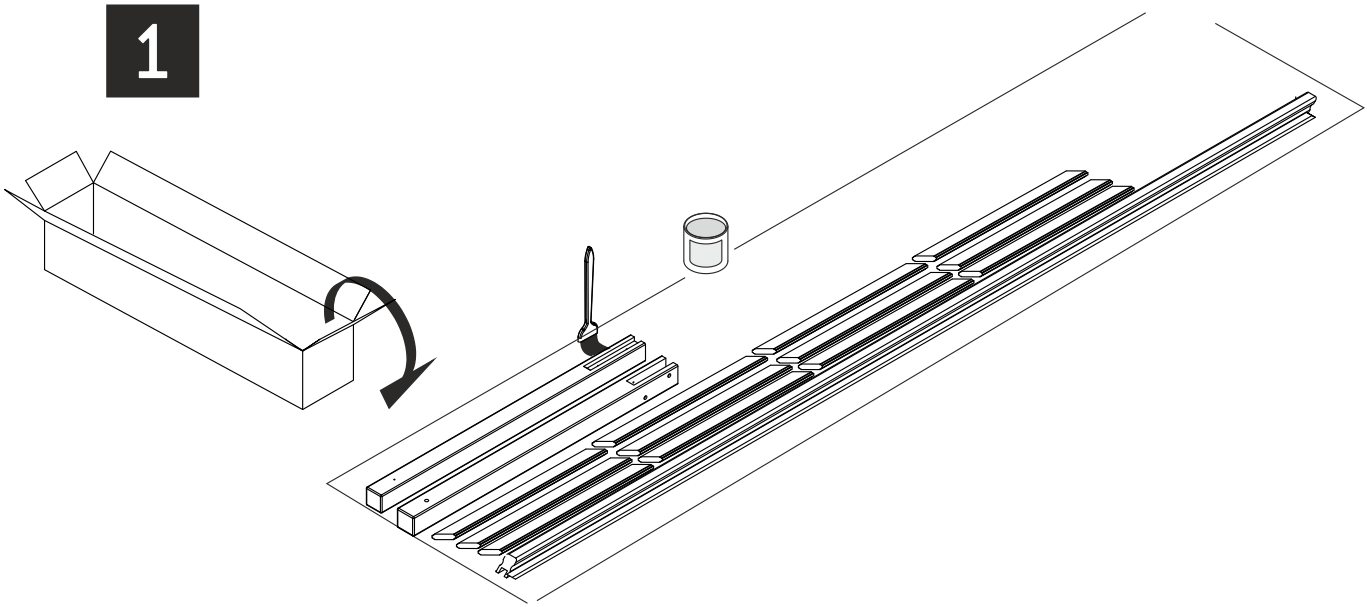
- (FR) SAVOIE/JURA RAMPE TRADITIONELLE "A"
BAL. MOULUREES ESC. 1/4 TOURNANT
- (NL) SAVOIE/JURA LEUNING TRADITIONEEL "A"
BAL. INGEFREESD 1/4-SLAG
- (GB) SAVOIE/JURA MOLDED BANISTER
1/4T STAIRCASE
- (DE) SAVOIE/JURA TRADITIONELLES GELÄNDER "A"
GEFRÄSTE STÄBE GEWENDELTE TREPPE
- (ES) SAVOIE/JURA BARANDILLA TRADICIONAL "A"
BALAUSTRES MOLDURADOS ESC. 1/4 DE GIRO
- (RO) SAVOIE/JURA RAMPĂ FREZATĂ
SCARĂ 1/4 T JOS

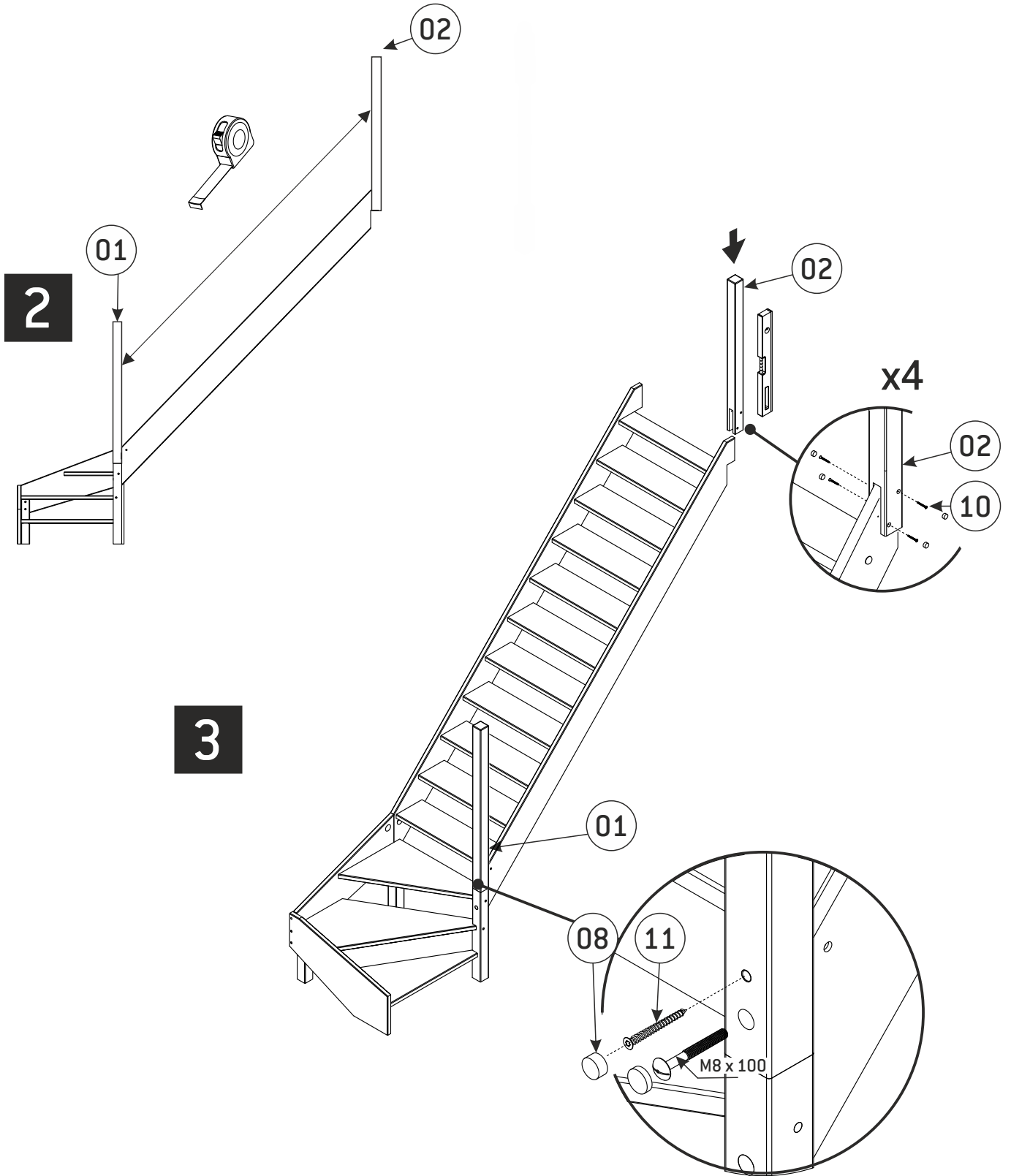


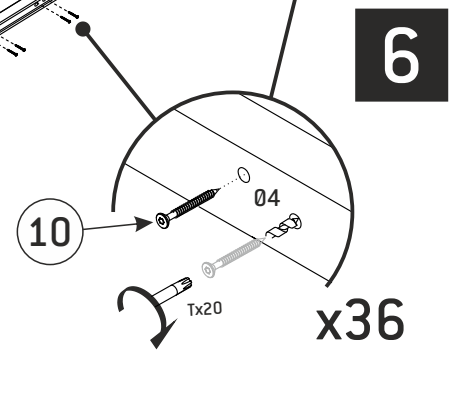
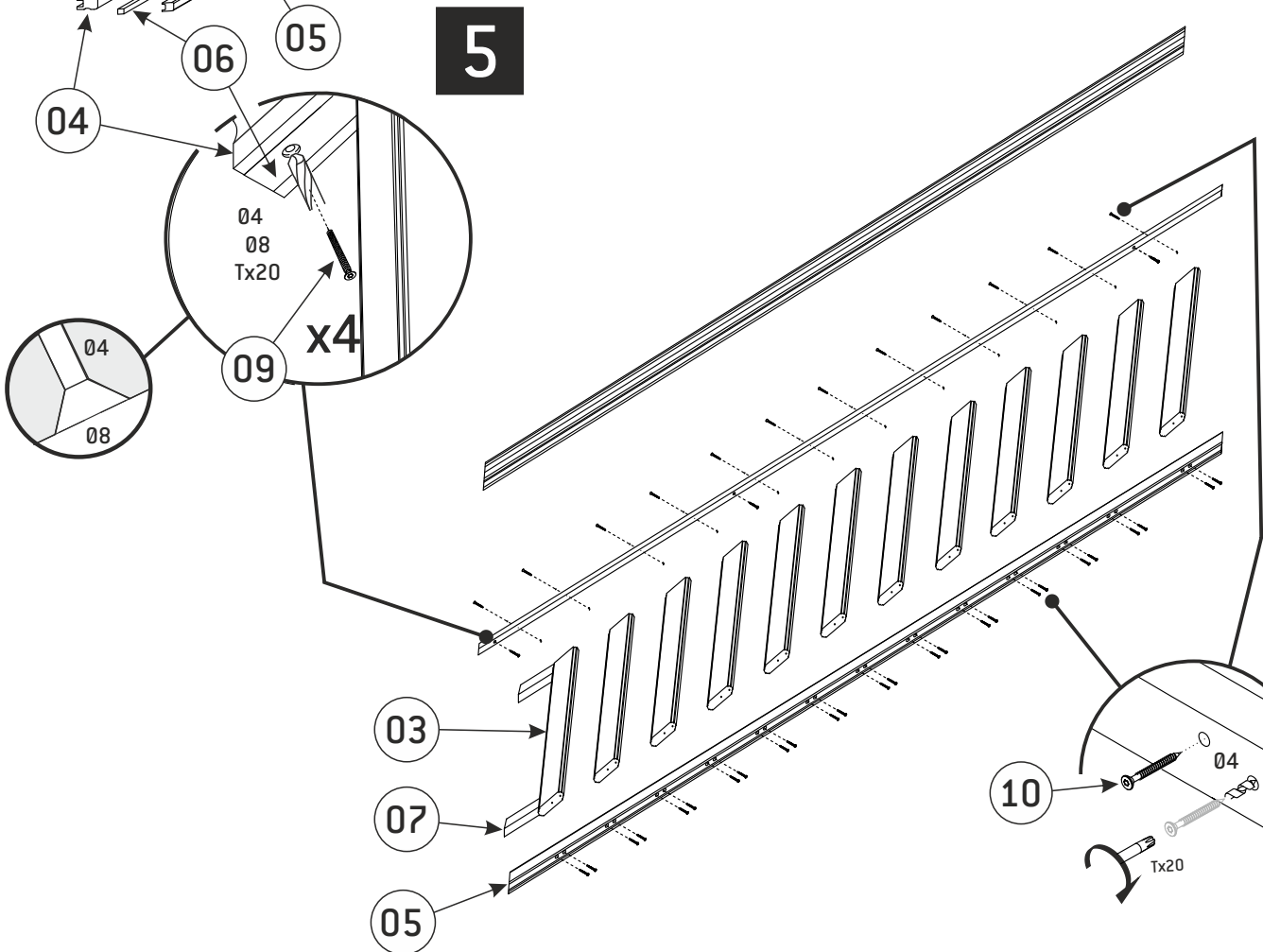
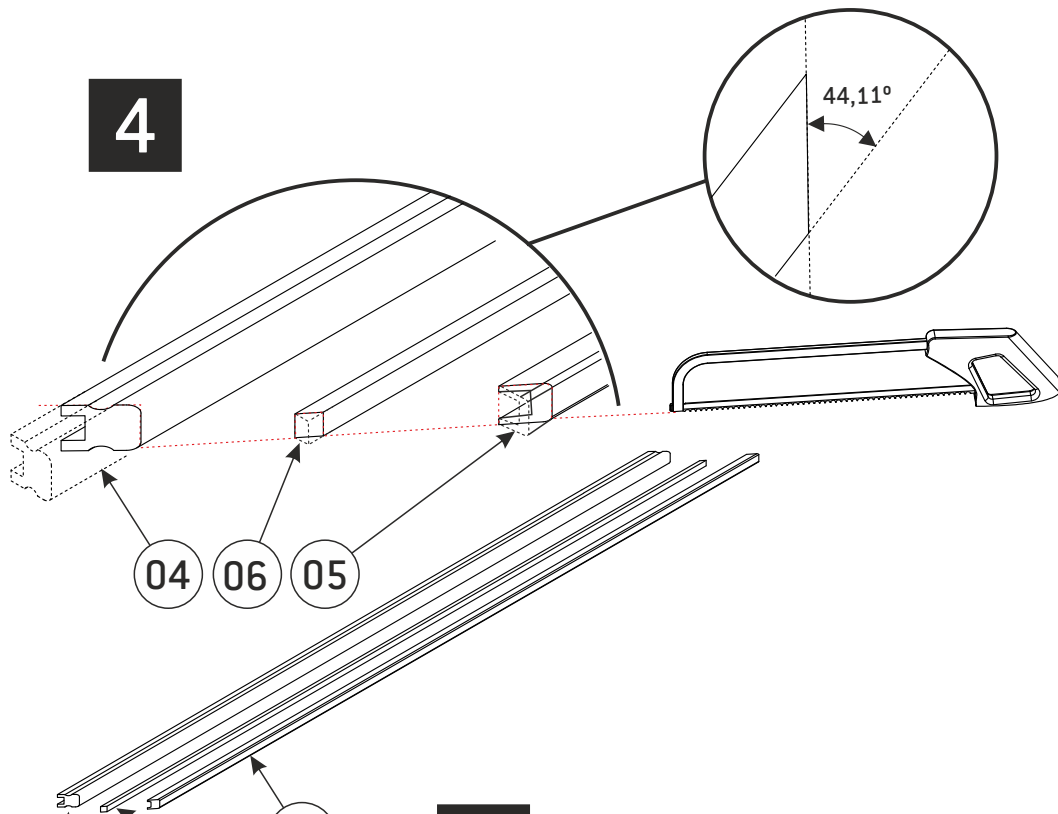
01 70x70x1105 mm x1	02 70x70x1109 mm x1	03 25x62x850mm x12	04 50x50x3150mm x1	05 32x54x3150 x1	06 26x16x3150mm x1	07 16x25x161mm x2 144,45 mm	09 04x45mm x3+2	11 05x60 mm x3+2
						08 012x6mm x10+2	10 04x40 mm x43+2	



1

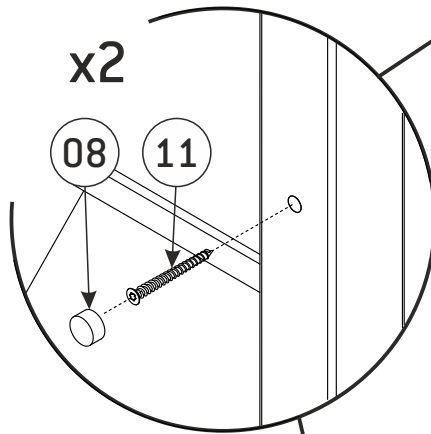
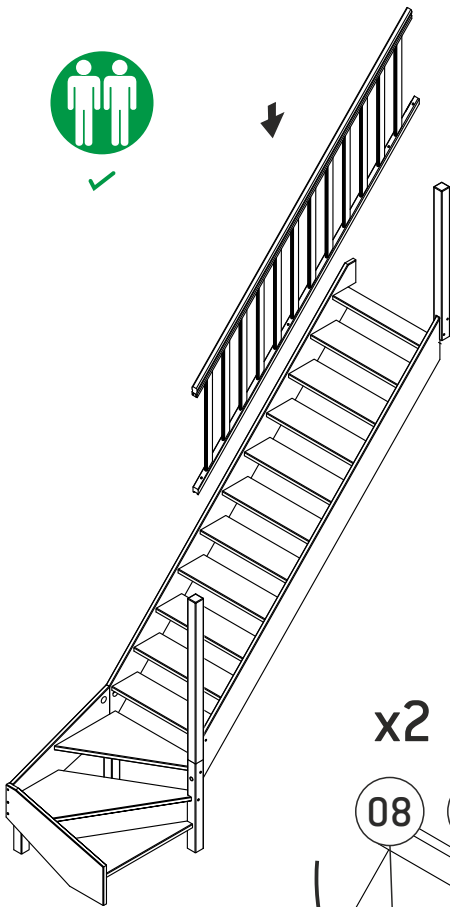








6



7

