
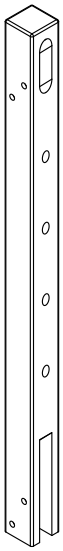
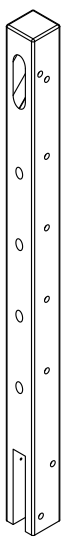









**STRAIGHT**



**JURA**

**BANISTER "G" | RAMPE "G" | LEUNING "G" | GELÄNDER "G"  
BARANDILLA "G" | CORRIMÃO "G" | RINGHIERA "G" | RAMPĂ "G"**

<p><b>01</b> 70x70x1151 mm x1</p> 	<p><b>02</b> 70x70x1121 mm x1</p> 	<p><b>03</b> 70x70x1086 mm x1</p> 	<p><b>04</b> 30x80x1905 mm x1</p> 	<p><b>05</b> 30x80x1920 mm x1</p> 	<p><b>06</b> Ø16x1939 mm x8</p> 
<p><b>07</b> 12x6 mm x20+1</p> 	<p><b>08</b> Ø4x40 mm x8+2</p> 	<p><b>09</b> Ø6x30 mm x6+2</p> 	<p><b>10</b> 4,2x50 mm x8+1</p> 	<p><b>11</b> Ø5x60 mm x2+1</p> 