

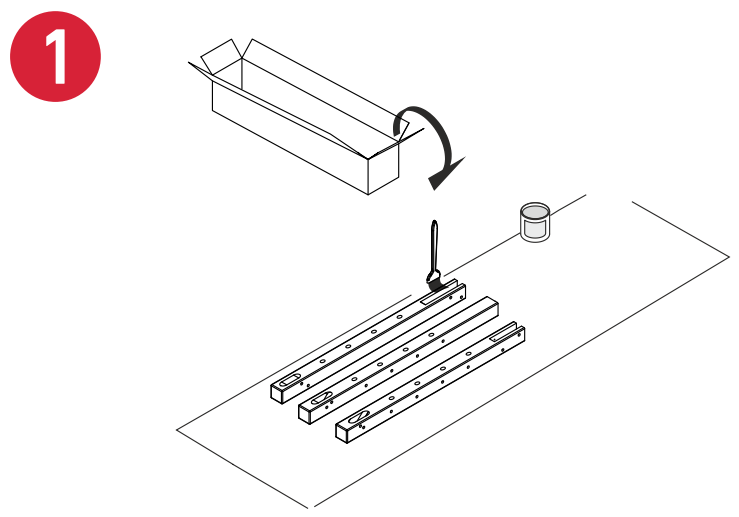
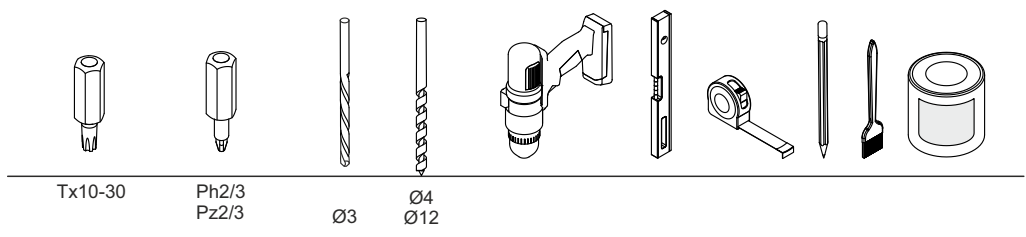
1/4T DOWN

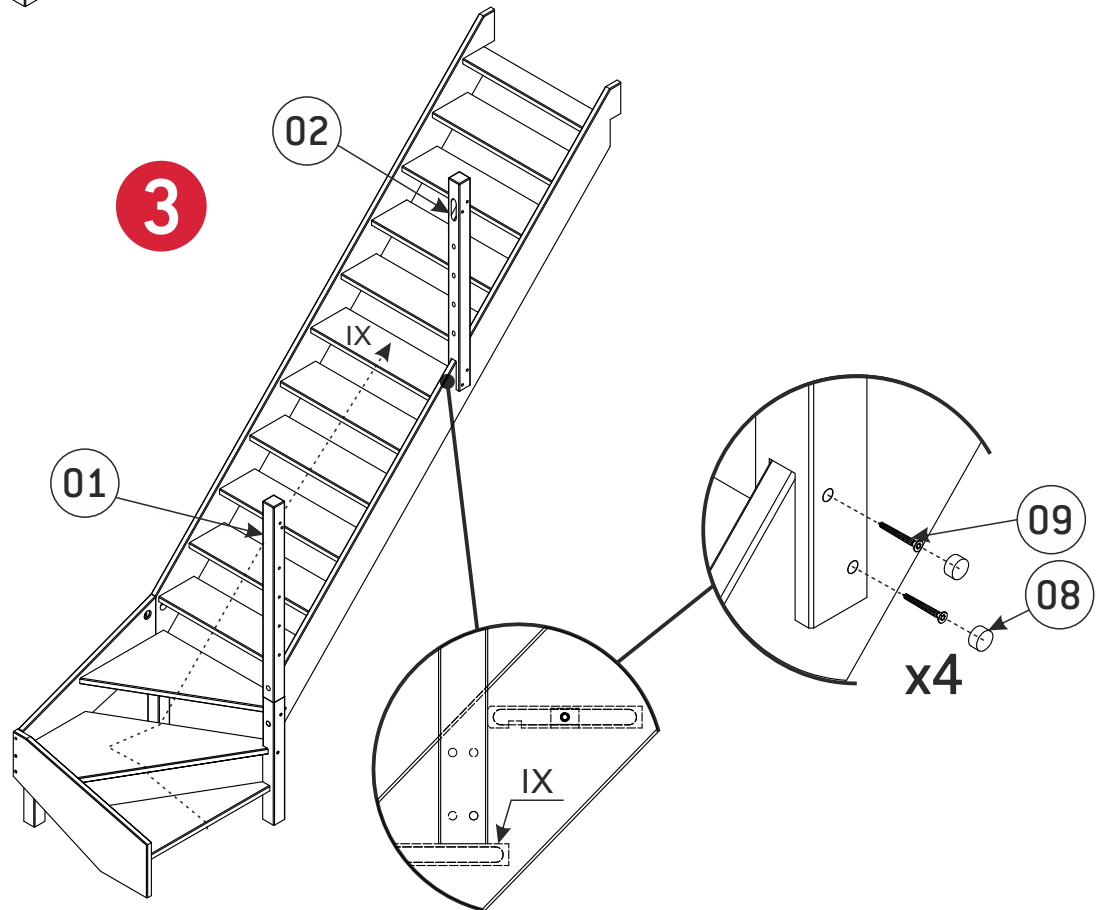
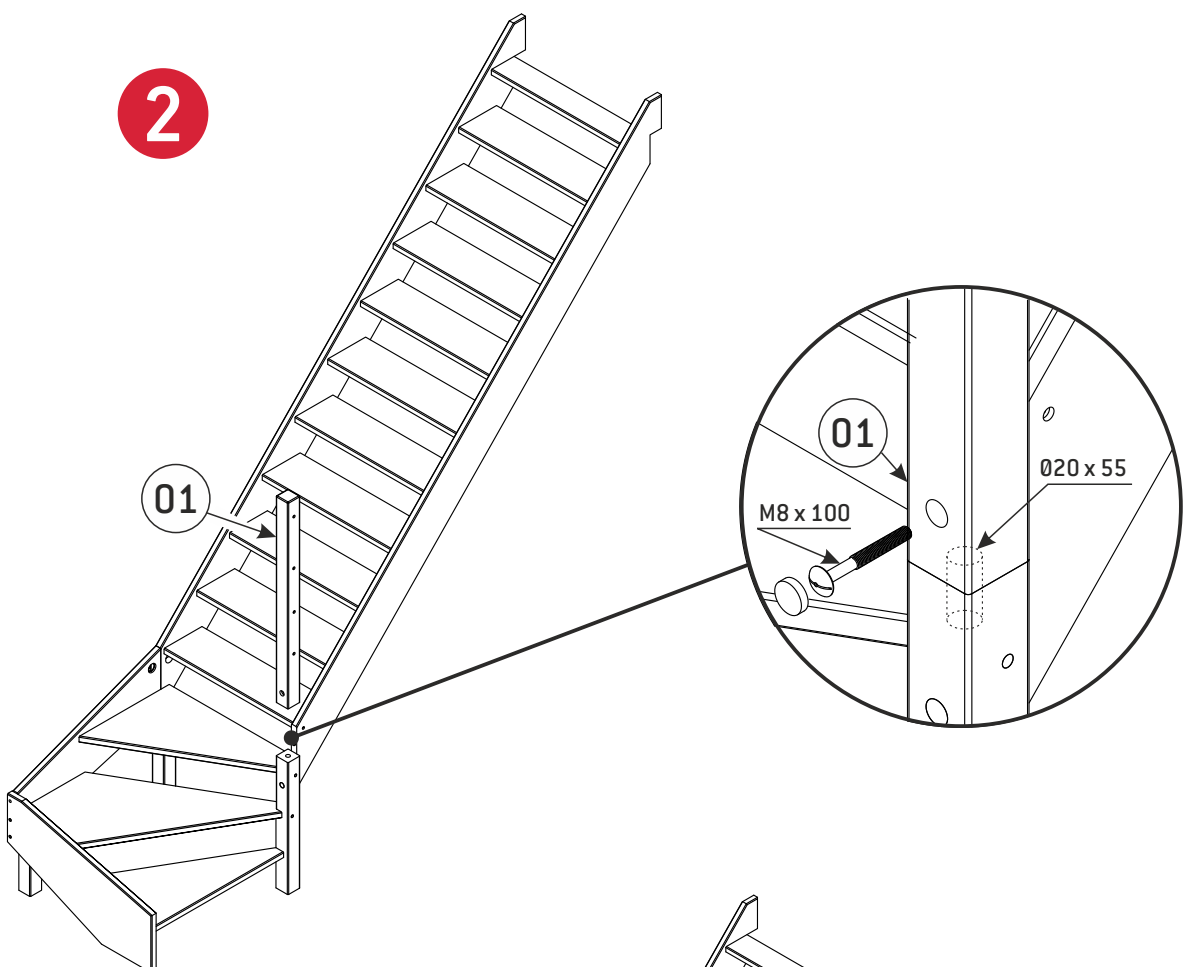


JURA

**BANISTER "G" | RAMPE "G" | LEUNING "G" | GELÄNDER "G"
BARANDILLA "G" | CORRIMÃO "G" | RINGHIERA "G" | RAMPĂ "G"**

01 70x70x1056 mm x1 	02 70x70x1121 mm x1 	03 70x70x1086 mm x1 	04 30x80x1650 mm x1 	05 30x80x1383 mm x1 	06 Ø16x1700 mm x4 	07 Ø16x1385 mm x4
08 12x6 mm x20+1 	09 Ø4x40 mm x8+2 	10 Ø6x30 mm x6+2 	11 4,2x50 mm x8+1 	12 Ø5x60 mm x1 		





4

